

UNICARRIERS[®]

□ FORKLIFT □



MXS3-MXS4 Series

Electric Counterbalanced Forklifts

48 Volt AC-Powered
2700 - 4000 lbs. Capacities



MXS3 and MXS4 Series Applications

Built to meet customer needs with dependable performance, durability and adaptability – backed by excellent customer service – these MXS3 and MXS4 series are your choice when space is tight. Due to their compact design, amazing maneuverability and intelligent control systems, they are ideal for:

- Food and Beverage manufacturing and wholesale
- Fishing and fish processing
- Chemicals, textiles and rubber
- General and refrigerated warehousing and storage
- Machinery and heavy equipment
- Electric equipment and components

We can offer your business a total solution, whatever your shift pattern, application or environment.





NEVER QUIT.

It defines our forklifts and the company that builds them.

Over the course of a century, the company known as UniCarriers took shape. As we grew and evolved into a US manufacturer with a global reach in nearly 100 countries worldwide, much has changed, but one thing hasn't: Our mission. UniCarriers is committed to providing you with the ultimate in reliability, performance, and value.

And that commitment can be seen in the MXS3 and MXS4 Series. The right choice when space is tight, their compact design, amazing maneuverability and intelligent control systems make them ideal for efficient handling in containers, trucks, drive-in racking and other cramped, fast-paced environments. They are also built to stand up to harsh, wet, dirty or dusty conditions. Add UniCarriers' legendary reliability, energy efficiency and durability — and you have the right forklift to move your products, and your business, forward.



Up Your UpTime

Discover reliability features that cut downtime and keep your business up and running



Comfort Zone

Your drivers and your entire operation will benefit from our comfort & productivity features



Power & Performance

Reliable AC motors and controllers are only the beginning of our performance advantages



Sweet Savings

The MXS3 and MXS4 series are designed to deliver you a low cost of ownership year after year after year



Play It Safe

Safety is everybody's business, and these models are all business when it comes to safety



Make It Yours

Already well appointed, the MXS3 and MXS4 series can be customized to meet your specific needs



To learn more, and find a dealer near you, visit LogisnextAmericas.com/UniCarriers

Up Your UpTime





Reduce Downtime with Self-Diagnostics

To maximize uptime and maintain the performance levels of these durable trucks, we build easy servicing into their design. Integrated on-board diagnostics provide immediate truck status. It's intuitive dialogue display combined with accessible service history reduce troubleshooting time, so the unit is back in operation faster. **Everything is done** through a smart LCD panel. No handset device is needed.



Electromagnetic Brakes

Fully electronic magnetic brakes require less servicing and offer greater energy efficiency. The electromagnetic parking brake standard does not require hand levers to release the brakes, helping to reduce maintenance costs and total cost of ownership.



Simplified Battery Maintenance & Replacement

Fast-access battery compartment offers easy opening for maximum ventilation during charging and quick battery checks and maintenance. Fast battery compartment access speeds up servicing and exchanges.

Comfort Zone



**You work smart,
you work hard –
why not work in
comfort? All the
amenities to make
the workday fly by.**



Improved Control and Productivity

Designed and engineered to perform, these 48-volt three- and four-wheel electrics work intuitively, tailoring their performance to your individual operator. Their sophisticated software analyzes behavior in real-time and automatically adjusts the truck's behavior for safe but productive performance. Driving and load handling is easier, steadier and more comfortable. Drivers feel the machine is totally in tune with them, so they are happy, confident and highly productive.



Ideal Operating Space

Large, ultra-comfortable operating space has been enhanced to meet the needs of drivers of different shapes and sizes for fatigue-free operation. Spacious footwell provides additional comfort to operators of different sizes to enjoy a natural, ergonomic, foot position. Optimized pedal positioning encourages a more natural foot position for drivers of all sizes – short and tall included – to keep fatigue at bay. Quickly step and swing into and out of the spacious operator compartment.



Superior Visibility

Thanks to its optimized mast, steering wheel, dashboard and counterweight design, the MXS3 and MXS4 series maximizes visibility to load, forks, front and rear wheels for safe, confident operation in tight spaces. Clear informative full-color display is easy to read from any angle (even in direct sunlight). It's ideally positioned for operator reference and doesn't reduce the truck's all-round visibility. From there, the inclined and narrow dashboard design allows clear forward, downward and side views without having to lean.



Convenience at Your Fingertips

Optional touch sensitive fingertip controls are spring-loaded for a natural feeling and is gentle to the touch. Ergonomic controls include an adjustable armrest when selecting the optional fingertip controls. Interesting advances include a synchronization system for the steering knob, which automatically returns it to the correct 8 o'clock position whenever the truck straightens up – even if the wheel has been forced beyond its end stop.



Power & Performance

Highly Responsive,
Highly Productive.



For greater productivity throughout the work cycle, the MXS3 and MXS4 Series' AC power system delivers responsive, precise control. The performance and durability of these UniCarriers' electric lift trucks is without question. It owes much to the expertise, advanced technology and strict quality standards applied by our ultra-modern production center. Faster acceleration, higher top travel speeds and infinitely variable lift/lower control mean more work is completed, faster.



Intuitive Drive System

The Intuitive Drive System smooths start and stop movements, increases agility and adapts to the speed of operators' foot movements.

It adapts performance rapidly in reaction to speed of pedal operation and helps ensure that travel movements, starts and stops are smooth.



High Efficiency Motors

High-efficiency motors offers a high RPM range for precise control when accelerating creating more torque at low speeds and reducing energy consumption. Intelligent curve control senses the angle of a turn and responds – automatically reducing speed early in the maneuver – helping to ensure stability and accurate, positive cornering.



Compensates for Load Weight

A load-sensing hydraulic system automatically adjusts for weight, to maintain precise control. (In forklifts without intelligent hydraulics, lifting and lowering feels very different when the weight of the load is varied). In addition, there is electronic compensation for load weight when using different hydraulic functions simultaneously (via optional fingertip controls), so all mast movements remain consistent.



Optimized Steering System

The optimized steering system provides consistently smooth operations and maximum control regardless the speed or work intensity. Timesaving 360-degree steering option on 3-wheel models means the

operator keeps the truck in constant motion – saving seconds on every turn. >100-degree steering axle with dual-drive motors on 4-wheel models offers smooth 'on the spot' turning, with no initial 'push'. Advanced curve control co-ordinates the two front-wheel drive motors and rear steer axle motor to optimize turning speed during cornering which helps stabilize the truck during turns.

Passive Sway Control

During lifts, a passive sway control function, specified as standard, takes effect. This works by keeping the automatic parking brake open so mast sway energy is absorbed by the mass of the whole truck. Reduction of sway and twisting, as well as noise, is enhanced through strong mast design and a low-friction side-shift. As an option for lifts between about 78in/2m and 138in/3.5m meters (and standard for 138in/3.5m upward), hydraulic performance can be automatically adjusted for added operator comfort. A similar automatic system limits truck acceleration when lifting at these heights.

Sweet Savings



Economical
and Flexible



Lower Maintenance Costs

The electromagnetic parking brake standard does not require hand levers to release the brakes, helping to reduce maintenance costs and total cost of ownership.



Pre-set and Programming Options

Performance and efficiency can be optimized for each application through full programming, or by simply selecting one of the pre-set operating modes. Profits are maximized by achieving the right balance between output and total cost of ownership.



Built to Last

As well as saving money daily with their low energy consumption, our lift trucks are able to reduce the total cost of ownership through features such as:

- Sealing of components against water and other contaminants
- Use of highly durable materials and designs
- 1,000-hour PM intervals

Play It Safe





Clearly Better

Excellent visibility thanks to optimized mast, steering wheel, inclined and narrow dashboard and counterweight design, maximizes visibility to load, forks, front and rear wheels for safe, confident operation in tight spaces.



Passive Sway Control

Passive Sway Control dampens any elevated load motion above 138in/3.5m, by compensating with micro-chassis movements. Load-sensing hydraulic system automatically adjusts to the weight being handled, to maintain precise control. Intelligent curve control senses the angle of a turn and responds – automatically reducing speed early in the maneuver – helping to ensure stability and accurate, positive cornering.

Stop. Stay.

The standard configuration includes automatic parking brake, hill hold and – if operator is not properly seated – prevention of travel and hydraulic movement. Automatic parking brake with hill holds stops the truck automatically when the accelerator is not engaged and prevents rolling on ramps.



Make it Yours

Choose from a variety of options to customize your ride. If you don't see what you need, contact your authorized UniCarriers dealer for help.



Smart and Durable

It's one of the most intelligent and durable trucks on the market today. Packed with features, it delivers the maneuverability, power and reliability you expect from UniCarriers. Modular design simplifies addition or replacement of parts, including overhead guard and cabin options.



Protection From Falling Debris

Among many optional features available to match the truck with your application is a high visibility overhead guard. While its rear is reinforced with steel, the fully transparent front area has a robust polycarbonate structure with a glass layer to prevent scratches and discoloration.



Adjust for Your Needs

Pre-set ECO and PRO modes can be selected for different drivers and tasks, or customized settings can be applied by service engineers.



Here to Serve You

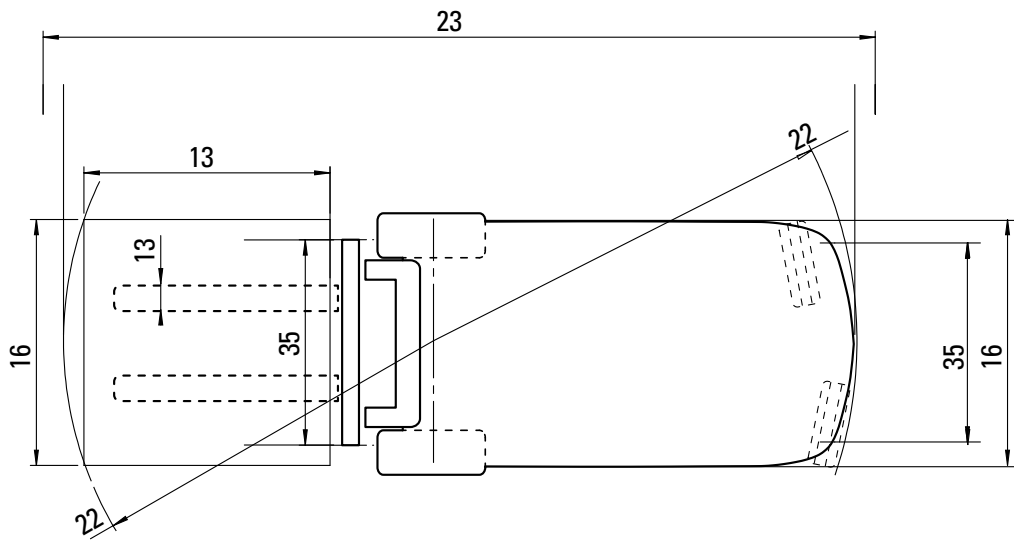
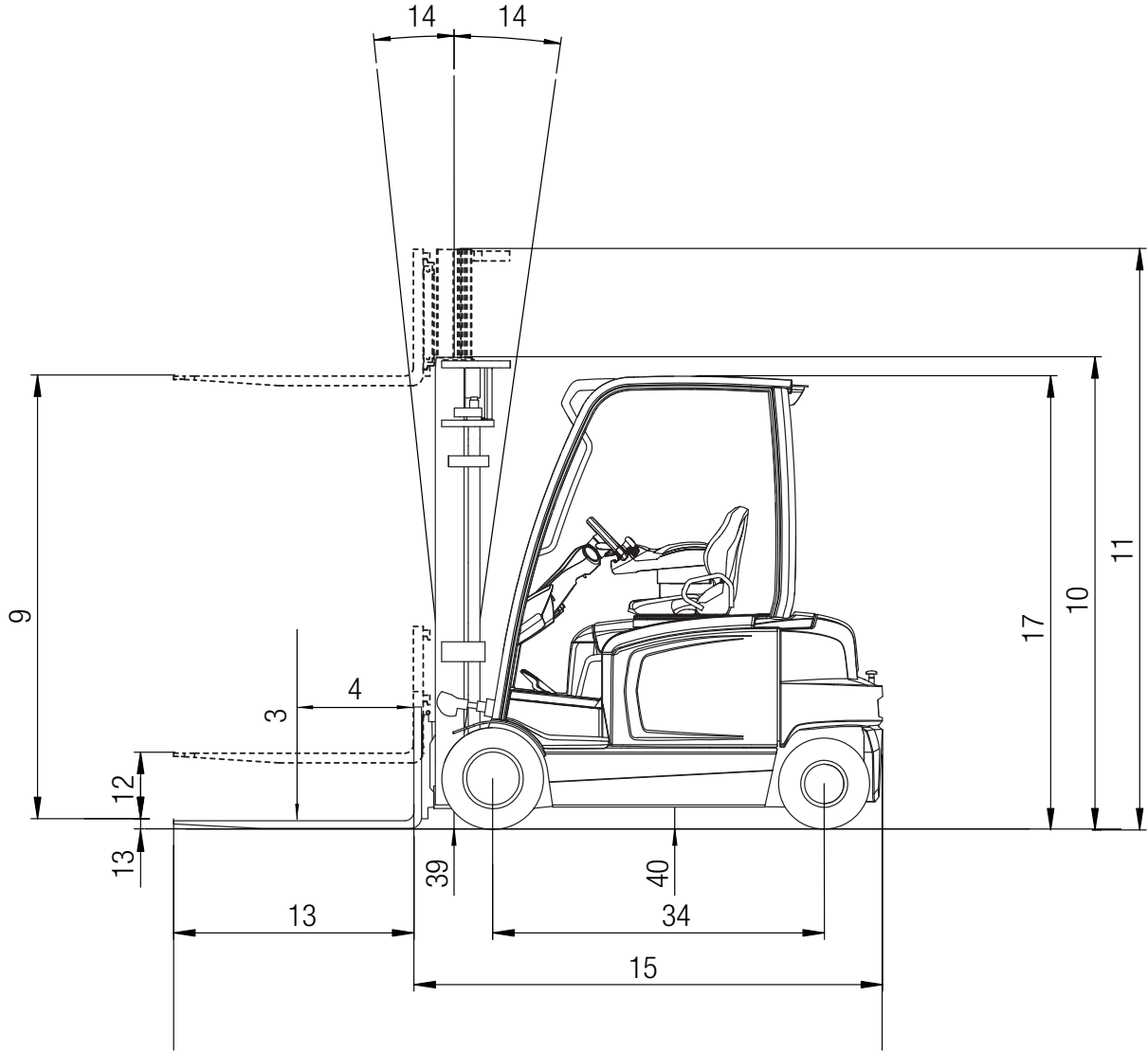
To help you choose the right model and configuration, and maintain its productivity, we have a dedicated network of dealers. With their specialist knowledge, wide experience and excellent service they will support you in every way to help maximize your profits.

MAIN TRUCK SPECIFICATIONS - 3 WHEEL

CHARACTERISTICS	1	Manufacturer's Name		UniCarriers	UniCarriers	UniCarriers		
	2	Model	Model designation	MXS3-14	MXS3-16	MXS3-18		
	3	Rated Load Capacity		2700 (1250)	3000 (1425)	3500 (1600)		
	4	Load Center	Distance	23.6 (600)	23.6 (600)	23.6 (600)		
	5	Power Type	Electric	Electric/48V	Electric/48V	Electric/48V		
	6	Operator Orientation		Seated	Seated	Seated		
DIMENSIONS	7	Tire Type	Front & rear	Solid Pneu.SE	Solid Pneu.SE	Solid Pneu.SE		
	8	Wheels	Number - front/rear (x=driven)	2x/1	2x/1	2x/1		
	9	Mast	Maximum fork height	in (mm)	129.5 (3290)	129.5 (3290)	129.5 (3290)	
	10		Mast lowered (OHL)	in (mm)	83.7 (2125)	83.7 (2125)	83.7 (2125)	
	11		Mast extended with LBR	in (mm)	170.7 (4335)	170.7 (4335)	170.7 (4335)	
	12		Standard freelif	in (mm)	3.1 (80)	3.1 (80)	3.1 (80)	
	13	Forks	Thickness & width & Length	in (mm)	1.4x3.9x5.9 (35x100x1150)	1.4x3.9x5.9 (35x100x1150)	1.4x3.9x5.9 (35x100x1150)	
	14	Tilt Angle	Standard mast - fwd/back	degree	5/7.5	5/7.5	5/7.5	
	15	Overall Dimensions	Length (to face of forks)	in (mm)	72.7 (1846)	72.7 (1846)	72.7 (1846)	
	16		Width (standard tires)	in (mm)	42.9 (1090)	42.9 (1090)	42.9 (1090)	
	17		Height - top of OHG	in (mm)	80.7 (2050)	80.7 (2050)	80.7 (2050)	
	18		Height - top of standard LBR	in (mm)	48.0 (1220)	48.0 (1220)	48.0 (1220)	
	19		Width - standard carriage	in (mm)	36.2 (920)	36.2 (920)	36.2 (920)	
	20	Grade Clearance	Ramp breakover angle (with/without load)	%	3.7 (95)	3.7 (95)	3.7 (95)	
	21	Overhang	Front	in (mm)	13.5 (343)	13.5 (343)	13.5 (343)	
	22	Turning Radius	Minimum outside	in (mm)	59.1 (1502)	59.1 (1502)	59.1 (1502)	
	23	Min Right Angle Stack	1000 x 1200 mm pallets, crosswise / 800 x 1200 mm pallets, lengthwise	in (mm)	124.9 (3173) / 129.8 (3296)	124.9 (3173) / 129.8 (3296)	124.9 (3173) / 129.8 (3296)	
	PERFORMANCE	24	Speed Maximum	Travel - loaded / unloaded	mph (km/h)	10.6 (16)	10.6 (16)	10.6 (16)
		25		Lift - loaded / unloaded	fpm (mm/sec)	0.55/0.62	0.52/0.62	0.46/0.62
		26		Lowering - loaded / unloaded	fpm (mm/sec)	0.56/0.56	0.56/0.56	0.56/0.56
27		Drawbar Pull Maximum	Full load	lb (N)	3372 (15000)	3350 (14900)	3350 (14900)	
28		Gradeability Maximum	Full load (with/without load)	%	27/35	27/35	26/35	
WEIGHT	29	Truck Weight	Empty, min. battery	lb (kg)	6150.9 (2790)	6538.9 (2966)	6957.8 (3156)	
	30	Weight Distribution	Full load front/rear - min. battery	lb (kg)	8130.6 (3688) / 1106.7 (502)	8851.6 (4015) / 1214.8 (551)	9592.3 (4351) / 1333.8 (605)	
	31		No load front/rear - min. battery	lb (kg)	3073.2 (1394) / 3077.7 (1396)	3071.0 (1393) / 3467.9 (1573)	3095.2 (1401) / 3866.9 (1754)	
CHASSIS & WHEELS	32	Tire Size	Front	in	18x7-8	18x7-8	18x7-8	
	33		Rear	in	140/55-9	140/55-9	140/55-9	
	34	Wheelbase		in (mm)	52.0 (1320)	52.0 (1320)	52.0 (1320)	
	35	Tread - Center of Tire	Front / rear (standard tires)	in (mm)	36.6/6.9 (930/174)	36.6/6.9 (930/174)	36.6/6.9 (930/174)	
	36	Headroom	SIP to bottom pf OHG	in (mm)	35.7 (908)	35.7 (908)	35.7 (908)	
	37	Counterweight Height		in (mm)	38.04 (966.36)	38.04 (966.36)	38.04 (966.36)	
	38	Step Height		in (mm)	16.0 (407)	16.0 (407)	16.0 (407)	
	39	Ground Clearance	Under mast	in (mm)	3.7 (95)	3.7 (95)	3.7 (95)	
	40		Under frame, center of wheelbase	in (mm)	3.7 (95)	3.7 (95)	3.7 (95)	
	41	Service Brake	Type		Electric	Electric	Electric	
	42	Parking Brake	Type		Magnetic	Magnetic	Magnetic	
43	Steering	On-demand		Electric	Electric	Electric		
DIN 320A 48V LINE	44	Traction Motor	Type / Rating (1-hour)	(kW)	AC / 2 x 5.5 kW	AC / 2 x 5.5 kW	AC / 2 x 5.5 kW	
	45		Control type		AC	AC	AC	
	46	Pump Motor	Type / Rating (5-minute)	(kW)	AC / 10 kW	AC / 10 kW	AC / 10 kW	
BATTERY	47	Battery Compartment Size	W x H - Maximum	in (mm)	W: 33.5 (850) with spacers W: 40.0 (1018) w/o spacers H: 26.0 (660) with battery rollers H: 27.2 (690) w/o battery rollers	W: 33.5 (850) with spacers W: 40.0 (1018) w/o spacers H: 26.0 (660) with battery rollers H: 27.2 (690) w/o battery rollers	W: 33.5 (850) with spacers W: 40.0 (1018) w/o spacers H: 26.0 (660) with battery rollers H: 27.2 (690) w/o battery rollers	
	48		L - Maximum	in (mm)	20.9 (532)	20.9 (532)	20.9 (532)	
	49	Recommended Battery Size	W x H - Maximum	in (mm)	W: 32.7 (830) with spacers W: 39.6 (1006) w/o spacers H: 24.7 (627)	W: 32.7 (830) with spacers W: 39.6 (1006) w/o spacers H: 24.7 (627)	W: 32.7 (830) with spacers W: 39.6 (1006) w/o spacers H: 24.7 (627)	
	50		L - Maximum	in (mm)	20.6 (522)	20.6 (522)	20.6 (522)	
	51		Lead acid	Type		Lead acid	Lead acid	Lead acid
	52	Capacity	Minimum / Maximum	Ah/5h	500-625	500-625	500-625	
	53	Weight	Minimum / Maximum	lb (kg)	1496.9/2204.6 (679/1000)	1496.9/2204.6 (679/1000)	1496.9/2204.6 (679/1000)	
	54	Lead Length	Position A	in (mm)	39.4 (1000)	39.4 (1000)	39.4 (1000)	
	55	Connector		Type	DIN 320A 48V	DIN 320A 48V	DIN 320A 48V	

MAIN TRUCK SPECIFICATIONS - 3 WHEEL

CHARACTERISTICS	1	Manufacturer's Name		UniCarriers	UniCarriers	UniCarriers		
	2	Model	Model designation	MXS3-16L	MXS3-18L	MXS3-20L		
	3	Rated Load Capacity		lb (kg)	3000 (1425)	3500 (1600)	4000 (1800)	
4	Load Center	Distance	in (mm)	23.6 (600)	23.6 (600)	23.6 (600)		
5	Power Type	Electric	voltage	Electric/48V	Electric/48V	Electric/48V		
6	Operator Orientation			Seated	Seated	Seated		
DIMENSIONS	7	Tire Type	Front & rear	Solid Pneu.SE	Solid Pneu.SE	Solid Pneu.SE		
	8	Wheels	Number - front/rear (x=driven)	2x/1	2x/1	2x/1		
	9	Mast	Maximum fork height	in (mm)	129.5 (3290)	129.5 (3290)	129.5 (3290)	
	10		Mast lowered (OHL)	in (mm)	83.7 (2125)	83.7 (2125)	83.7 (2125)	
	11		Mast extended with LBR	in (mm)	107.7 (4335)	170.7 (4335)	170.7 (4335)	
	12		Standard freelif	in (mm)	3.1 (80)	3.1 (80)	3.1 (80)	
	13	Forks	Thickness & width & Length	in (mm)	1.4x3.9x5.9 (35x100x1150)	1.4x3.9x5.9 (35x100x1150)	1.4x3.9x5.9 (35x100x1150)	
	14	Tilt Angle	Standard mast - fwd/back	degree	5/7.5	5/7.5	5/7.5	
	15	Overall Dimensions	Length (to face of forks)	in (mm)	76.9 (1954)	76.9 (1954)	77.5 (1969)	
	16		Width (standard tires)	in (mm)	42.9 (1090)	42.9 (1090)	44.9 (1140)	
	17		Height - top of OHG	in (mm)	80.7 (2050)	80.7 (2050)	80.7 (2050)	
	18		Height - top of standard LBR	in (mm)	48.0 (1220)	48.0 (1220)	48.0 (1220)	
	19		Width - standard carriage	in (mm)	36.2 (920)	36.2 (920)	36.2 (920)	
	20	Grade Clearance	Ramp breakover angle (with/without load)	%	3.7 (95)	3.7 (95)	3.7 (95)	
	21	Overhang	Front	in (mm)	13.5 (343)	13.5 (343)	13.5 (343)	
	22	Turning Radius	Minimum outside	in (mm)	63.4 (1610)	63.4 (1610)	63.4 (1610)	
	23	Min Right Angle Stack	1000 x 1200 mm pallets, crosswise / 800 x 1200 mm pallets, lengthwise	in (mm)	129.1 (3281) / 134.0 (3404)	129.1 (3281) / 134.0 (3404)	129.7 (3295) / 134.6 (3419)	
	PERFORMANCE	24	Speed Maximum	Travel - loaded / unloaded	mph (km/h)	10.6 (16)	10.6 (16)	10.6 (16)
		25		Lift - loaded / unloaded	fpm (mm/sec)	0.52/0.62	0.46/0.62	0.42/0.62
		26		Lowering - loaded / unloaded	fpm (mm/sec)	0.56/0.56	0.56/0.56	0.56/0.56
		27	Drawbar Pull Maximum	Full load	lb (N)	3350 (14900)	3350 (14900)	3327 (14800)
	28	Gradeability Maximum	Full load (with/without load)	%	27/35	26/35	24/35	
WEIGHT	29	Truck Weight	Empty, min. battery	lb (kg)	6501.4 (2949)	6876.2 (3119)	7367.8 (3342)	
	30	Weight Distribution	Full load front/rear - min. battery	lb (kg)	8862.6 (4020)/ 1166.3 (529)	9552.6 (4333)/ 1291.9 (586)	10518.3 (4711)/ 1391.1 (631)	
	31		No load front/rear - min. battery	lb (kg)	3254.0 (1476)/ 3249.6 (1474)	3243.0 (1471)/ 3635.4 (1649)	3326.7 (1509)/ 4041.1 (1833)	
CHASSIS & WHEELS	32	Tire Size	Front	in	18x7-8	18x7-8	200/50-10	
	33		Rear	in	140/55-9	140/55-9	140/55-9	
	34	Wheelbase		in (mm)	56.2 (1428)	56.2 (1428)	56.2 (1428)	
	35	Tread - Center of Tire	Front / rear (standard tires)	in (mm)	36.6/6.9 (930/174)	36.6/6.9 (930/174)	36.6/6.9 (930/174)	
	36	Headroom	SIP to bottom pf OHG	in (mm)	35.7 (908)	35.7 (908)	35.7 (908)	
	37	Counterweight Height		in (mm)	38.04 (966.36)	38.04 (966.36)	38.04 (966.36)	
	38	Step Height		in (mm)	16.0 (407)	16.0 (407)	16.0 (407)	
	39	Ground Clearance	Under mast	in (mm)	3.7 (95)	3.7 (95)	3.7 (95)	
	40		Under frame, center of wheelbase	in (mm)	3.7 (95)	3.7 (95)	3.7 (95)	
	41	Service Brake	Type		Electric	Electric	Electric	
	42	Parking Brake	Type		Magnetic	Magnetic	Magnetic	
43	Steering	On-demand		Electric	Electric	Electric		
DIN 320A 48V LINE	44	Traction Motor	Type / Rating (1-hour)	(kW)	AC / 2 x 5.5 kW	AC / 2 x 5.5 kW	AC / 2 x 5.5 kW	
	45		Control type		AC	AC	AC	
	46	Pump Motor	Type / Rating (5-minute)	(kW)	AC / 10 kW	AC / 10 kW	AC / 10 kW	
BATTERY	47	Battery Compartment Size	W x H - Maximum	in (mm)	W: 33.5 (850) with spacers W: 40.0 (1018) w/o spacers H: 26.0 (660) with battery rollers H: 27.2 (690) w/o battery rollers	W: 33.5 (850) with spacers W: 40.0 (1018) w/o spacers H: 26.0 (660) with battery rollers H: 27.2 (690) w/o battery rollers	W: 33.5 (850) with spacers W: 40.0 (1018) w/o spacers H: 26.0 (660) with battery rollers H: 27.2 (690) w/o battery rollers	
	48		L - Maximum	in (mm)	25.2 (640)	25.2 (640)	25.2 (640)	
	49	Recommended Battery Size	W x H - Maximum	in (mm)	W: 32.7 (830) with spacers W: 39.6 (1006) w/o spacers H: 24.7 (627)	W: 32.7 (830) with spacers W: 39.6 (1006) w/o spacers H: 24.7 (627)	W: 32.7 (830) with spacers W: 39.6 (1006) w/o spacers H: 24.7 (627)	
	50		L - Maximum	in (mm)	24.8 (630)	24.8 (630)	24.8 (630)	
	51		Lead acid	Type	Lead acid	Lead acid	Lead acid	
	52	Capacity	Minimum / Maximum	Ah/5h	625-750	625-750	625-750	
	53	Weight	Minimum / Maximum	lb (kg)	1790.1/2557.4 (812/1160)	1790.1/2557.4 (812/1160)	1790.1/2557.4 (812/1160)	
	54	Lead Length	Position A	in (mm)	39.4 (1000)	39.4 (1000)	39.4 (1000)	
	55	Connector		Type	DIN 320A 48V	DIN 320A 48V	DIN 320A 48V	



MAIN TRUCK SPECIFICATIONS - 4 WHEEL

CHARACTERISTICS	1	Manufacturer's Name		UniCarriers	UniCarriers	UniCarriers		
	2	Model	Model designation	MXS4-16	MXS4-18	MXS4-16L		
	3	Rated Load Capacity		lb (kg)	3000 (1425)	3500 (1600)	3000 (1425)	
4	Load Center	Distance	in (mm)	23.6 (600)	23.6 (600)	23.6 (600)		
5	Power Type	Electric	voltage	Electric/48v	Electric/48V	Electric/48V		
6	Operator Orientation			Seated	Seated	Seated		
DIMENSIONS	7	Tire Type	Front & rear	Solid Pneu. SE	Solid Pneu. SE	Solid Pneu. SE		
	8	Wheels	Number - front/rear (x=driven)	2x/2	2x/2	2x/2		
	9	Mast	Maximum fork height	in (mm)	129.5 (3290)	129.5 (3290)	129.5 (3290)	
	10		Mast lowered (OHL)	in (mm)	83.7 (2125)	83.7 (2125)	83.7 (2125)	
	11		Mast extended with LBR	in (mm)	170.7 (4335)	170.7 (4335)	170.7 (4335)	
	12		Standard freelif	in (mm)	3.1 (80)	3.1 (80)	3.1 (80)	
	13	Forks	Thickness & width & Length	in (mm)	1.4x3.9x45.3 (35x100x1150)	1.4x3.9x45.3 (35x100x1150)	1.4x3.9x45.3 (35x100x1150)	
	14	Tilt Angle	Standard mast - fwd/back	degree	5/7.5	5/7.5	5/7.5	
	15	Overall Dimensions	Length (to face of forks)	in (mm)	78.8 (2002)	78.8 (2002)	83.1 (2110)	
	16		Width (standard tires)	in (mm)	42.9 (1090)	42.9 (1090)	42.9 (1090)	
	17		Height - top of OHG	in (mm)	80.7 (2050)	80.7 (2050)	80.7 (2050)	
	18		Height - top of standard LBR	in (mm)	48.0 (1220)	48.0 (1220)	48.0 (1220)	
	19		Width - standard carriage	in (mm)	36.2 (920)	36.2 (920)	36.2 (920)	
	20	Grade Clearance	Ramp breakover angle (with/without load)	%	3.7 (95)	3.7 (95)	3.7 (95)	
	21	Overhang	Front	in (mm)	13.5 (343)	13.5 (343)	13.5 (343)	
	22	Turning Radius	Minimum outside	in (mm)	65.4 (1662)	65.4 (1662)	69.7 (1770)	
	23	Min Right Angle Stack	1000 x 1200 mm pallets, crosswise / 800 x 1200 mm pallets, lengthwise	in (mm)	131.2 (3333) / 136.0 (3456)	131.2 (3333) / 136.0 (3456)	135.5 (3441) / 140.3 (3564)	
	PERFORMANCE	24	Speed Maximum	Travel - loaded / unloaded	mph (km/h)	11 (16)	11 (16)	11 (16)
		25		Lift - loaded / unloaded	fpm (mm/sec)	108/122 (.55/.62)	102/122 (.52/.62)	90/122 (.46/.62)
		26		Lowering - loaded / unloaded	fpm (mm/sec)	110 (.56/.56)	110 (.56/.56)	110 (.56/.56)
		27	Drawbar Pull Maximum	Full load	lb (N)	3350 (14900)	3350 (14900)	3372 (15000)
		28	Gradeability Maximum	Full load (with/without load)	%	27/35	26/35	27/35
	WEIGHT	29	Truck Weight	Empty, min. battery	lb (kg)	6490.4 (2944)	6865.2 (3114)	6519.1 (2957)
30		Weight Distribution	Full load front/rear - min. battery	lb (kg)	8796.4 (3990)/ 1221.4 (554)	9504.1 (4311)/ 1329.4 (603)	8836.1 (4008)/ 1212.5 (550)	
31			No load front/rear - min. battery	lb (kg)	3135.0 (1422)/ 3355.4 (1522)	3135.0 (1422)/ 3730.2 (1692)	3329.0 (1510)/ 3192.3 (1448)	
CHASSIS & WHEELS	32	Tire Size	Front	in	18x7-8	18x7-8	18x7-8	
	33		Rear	in	16x6-8	16x6-8	16x6-8	
	34	Wheelbase		in (mm)	54.9 (1394)	54.9 (1394)	59.1 (1502)	
	35	Tread - Center of Tire	Front / rear (standard tires)	in (mm)	36.6/35.4 (930/898)	36.6/35.4 (930/898)	36.6/35.4 (930/898)	
	36	Headroom	SIP to bottom pf OHG	in (mm)	35.7 (908)	35.7 (908)	35.7 (908)	
	37	Counterweight Height		in (mm)	38,04 (966,36)	38,04 (966,36)	38,04 (966,36)	
	38	Step Height		in (mm)	16.0 (407)	16.0 (407)	16.0 (407)	
	39	Ground Clearance	Under mast	in (mm)	3.7 (95)	3.7 (95)	3.7 (95)	
	40		Under frame, center of wheelbase	in (mm)	3.7 (95)	3.7 (95)	3.7 (95)	
	41	Service Brake	Type		Electric	Electric	Electric	
	42	Parking Brake	Type		Magnetic	Magnetic	Magnetic	
43	Steering	On-demand		Electric	Electric	Electric		
DIN 320A 48V LINE	44	Traction Motor	Type / Rating (1-hour)	(kW)	AC / 2 x 5.5 kW	AC / 2 x 5.5 kW	AC / 2 x 5.5 kW	
	45		Control type		AC	AC	AC	
	46	Pump Motor	Type / Rating (5-minute)	(kW)	AC / 10 kW	AC / 10 kW	AC / 10 kW	
BATTERY	47	Battery Compartment Size	W x H - Maximum	in (mm)	W: 33.5 (850) with spacers W: 40.0 (1018) w/o spacers H: 26.0 (660) with battery rollers H: 27.2 (690) w/o battery rollers	W: 33.5 (850) with spacers W: 40.0 (1018) w/o spacers H: 26.0 (660) with battery rollers H: 27.2 (690) w/o battery rollers	W: 33.5 (850) with spacers W: 40.0 (1018) w/o spacers H: 26.0 (660) with battery rollers H: 27.2 (690) w/o battery rollers	
	48		L - Maximum	in (mm)	20.9 (532)	20.9 (532)	25.2 (640)	
	49	Recommended Battery Size	W x H - Maximum	in (mm)	W: 32.7 (830) with spacers W: 39.6 (1006) w/o spacers H: 24.7 (627)	W: 32.7 (830) with spacers W: 39.6 (1006) w/o spacers H: 24.7 (627)	W: 32.7 (830) with spacers W: 39.6 (1006) w/o spacers H: 24.7 (627)	
	50		L - Maximum	in (mm)	20.6 (522)	20.6 (522)	24.8 (630)	
	51		Lead acid	Type	Lead acid	Lead acid	Lead acid	
	52	Capacity	Minimum / Maximum	Ah/5h	500-625	500-625	625-750	
	53	Weight	Minimum / Maximum	lb (kg)	1496.9/2204.6 (679/1000)	1496.9/2204.6 (679/1000)	1496.9/2557.4 (812/1160)	
	54	Lead Length	Position A	in (mm)	39.4 (1000)	39.4 (1000)	39.4 (1000)	

MAIN TRUCK SPECIFICATIONS - 4 WHEEL

CHARACTERISTICS	1	Manufacturer's Name		UniCarriers	UniCarriers	
	2	Model	Model designation	MXS4-18L	MXS4-20L	
	3	Rated Load Capacity		lb (kg)	3500 (1600)	4000 (1800)
4	Load Center	Distance	in (mm)	23.6 (600)	23.6 (600)	
5	Power Type	Electric	voltage	Electric/48V	Electric/48V	
6	Operator Orientation			Seated	Seated	
DIMENSIONS	7	Tire Type	Front & rear	Solid Pneu. SE	Solid Pneu. SE	
	8	Wheels	Number - front/rear (x=driven)	2x/2	2x/2	
	9	Mast	Maximum fork height	in (mm)	129.5 (3290)	129.5 (3290)
	10		Mast lowered (OHL)	in (mm)	83.7 (2125)	83.7 (2125)
	11		Mast extended with LBR	in (mm)	170.7 (4335)	170.7 (4335)
	12		Standard freelif	in (mm)	3.1 (80)	3.1 (80)
	13	Forks	Thickness & width & Length	in (mm)	1.4x3.9x45.3 (35x100x1150)	1.4x3.9x45.3 (35x100x1150)
	14	Tilt Angle	Standard mast - fwd/back	degree	5/7.5	5/7.5
	15	Overall Dimensions	Length (to face of forks)	in (mm)	83.1 (2110)	83.7 (2125)
	16		Width (standard tires)	in (mm)	42.9 (1090)	44.9 (1140)
	17		Height - top of OHG	in (mm)	80.7 (2050)	80.7 (2050)
	18		Height - top of standard LBR	in (mm)	48.0 (1220)	48.0 (1220)
	19		Width - standard carriage	in (mm)	36.2 (920)	36.2 (920)
	20	Grade Clearance	Ramp breakover angle (with/without load)	%	4 (95)	4 (95)
	21	Overhang	Front	in (mm)	13.5 (343)	13.5 (343)
22	Turning Radius	Minimum outside	in (mm)	69.7 (1770)	69.7 (1770)	
23	Min Right Angle Stack	1000 x 1200 mm pallets, crosswise / 800 x 1200 mm pallets, lengthwise	in (mm)	135.5 (3441) / 140.3 (3564)	136.0 (3455) / 140.9 (3579)	
PERFORMANCE	24	Speed Maximum	Travel - loaded / unloaded	mph (km/h)	11 (16)	11 (16)
	25		Lift - loaded / unloaded	fpm (mm/sec)	102/122 (.52/.62)	83/122 (.42/.62)
	26		Lowering - loaded / unloaded	fpm (mm/sec)	110 (.56/.56)	110 (.56/.56)
	27	Drawbar Pull Maximum	Full load	lb (N)	3350 (14900)	3327 (14800)
28	Gradeability Maximum	Full load (with/without load)	%	26/35	24/35	
WEIGHT	29	Truck Weight	Empty, min. battery	lb (kg)	6827.7 (3097)	7246.6 (3287)
	30	Weight Distribution	Full load front/rear - min. battery	lb (kg)	9468.9 (4295)/ 1329.4 (603)	10291.2 (4668)/ 1366.9 (620)
	31		No load front/rear - min. battery	lb (kg)	3271.7 (1484)/ 3556.1 (1613)	3362.0 (1525)/ 3884.6 (1762)
CHASSIS & WHEELS	32	Tire Size	Front	in	18x7-8	200/50-10
	33		Rear	in	16x6-8	16x6-8
	34	Wheelbase		in (mm)	59.1 (1502)	59.1 (1502)
	35	Tread - Center of Tire	Front / rear (standard tires)	in (mm)	36.6/35.4 (930/898)	36.6/35.4 (930/898)
	36	Headroom	SIP to bottom pf OHG	in (mm)	35.7 (908)	35.7 (908)
	37	Counterweight Height		in (mm)	38.04 (966,36)	38.04 (966,36)
	38	Step Height		in (mm)	16.0 (407)	16.0 (407)
	39	Ground Clearance	Under mast	in (mm)	3.7 (95)	3.7 (95)
	40		Under frame, center of wheelbase	in (mm)	3.7 (95)	3.7 (95)
	41	Service Brake	Type		Electric	Electric
	42	Parking Brake	Type		Magnetic	Magnetic
43	Steering	On-demand		Electric	Electric	
DIN 320A 48V LINE	44	Traction Motor	Type / Rating (1-hour)	(kW)	AC / 2 x 5.5 kW	AC / 2 x 5.5 kW
	45		Control type		AC	AC
	46	Pump Motor	Type / Rating (5-minute)	(kW)	AC / 10 kW	AC / 10 kW
BATTERY	47	Battery Compartment Size	W x H - Maximum	in (mm)	W: 33.5 (850) with spacers W: 40.0 (1018) w/o spacers H: 26.0 (660) with battery rollers H: 27.2 (690) w/o battery rollers	W: 33.5 (850) with spacers W: 40.0 (1018) w/o spacers H: 26.0 (660) with battery rollers H: 27.2 (690) w/o battery rollers
	48		L - Maximum	in (mm)	25.2 (640)	25.2 (640)
	49	Recommended Battery Size	W x H - Maximum	in (mm)	W: 32.7 (830) with spacers W: 39.6 (1006) w/o spacers H: 24.7 (627)	W: 32.7 (830) with spacers W: 39.6 (1006) w/o spacers H: 24.7 (627)
	50		L - Maximum	in (mm)	24.8 (630)	24.8 (630)
	51		Lead acid	Type	Lead acid	Lead acid
	52	Capacity	Minimum / Maximum	Ah/5h	625-750	625-750
	53	Weight	Minimum / Maximum	lb (kg)	1790.2/2557.4 (812/1160)	1790.2/2557.4 (812/1160)
	54	Lead Length	Position A	in (mm)	39.4 (1000)	39.4 (1000)

STANDARD MAST SPECIFICATIONS AND RATED CAPACITIES - 3 WHEEL

Mast Type	Maximum Fork Height	Overall Height		Free Lift	Tilt Angle Fwd/Bkwd	Rated Capacity at 24" (600) Load Center					
		Lowered	Fully Extended			MXS3-14	MXS3-16	MXS3-18	MXS3-16L	MXS3-18L	MXS3-10L
	MFH	OHL	With LBR	lb (kg)	lb (kg)						
	in (mm)	in (mm)	in (mm)	in (mm)	degrees	lb (kg)	lb (kg)	lb (kg)	lb (kg)	lb (kg)	lb (kg)
SIMPLEX	78.7 (2000)	58.2 (1480)	119.9 (3045)	3.1 (80)	5/6	2756 (1250.1)	3142 (1425.2)	3527 (1599.8)	3142 (1425.2)	3527 (1599.8)	3968 (1799.9)
	100.7 (2560)	69.2 (1760)	141.9 (3605)	3.1 (80)	5/6	2756 (1250.1)	3142 (1425.2)	3527 (1599.8)	3142 (1425.2)	3527 (1599.8)	3968 (1799.9)
	108.6 (2760)	73.2 (1860)	149.8 (3805)	3.1 (80)	5/7.5	2756 (1250.1)	3142 (1425.2)	3527 (1599.8)	3142 (1425.2)	3527 (1599.8)	3968 (1799.9)
	118.1 (3000)	77.9 (1980)	159.3 (4045)	3.1 (80)	5/7.5	2756 (1250.1)	3142 (1425.2)	3527 (1599.8)	3142 (1425.2)	3527 (1599.8)	3968 (1799.9)
	129.5 (3290)	83.7 (2125)	170.7 (4335)	3.1 (80)	5/7.5	2756 (1250.1)	3142 (1425.2)	3527 (1599.8)	3142 (1425.2)	3527 (1599.8)	3968 (1799.9)
	138.9 (3530)	88.4 (2245)	180.1 (4575)	3.1 (80)	5/7.5	2756 (1250.1)	3142 (1425.2)	3527 (1599.8)	3142 (1425.2)	3527 (1599.8)	3968 (1799.9)
	146.5 (3720)	93.9 (2385)	187.6 (4765)	3.1 (80)	5/7.5	2756 (1250.1)	3142 (1425.2)	3527 (1599.8)	3142 (1425.2)	3527 (1599.8)	3968 (1799.9)
	161.0 (4090)	101.2 (2570)	202.2 (5135)	3.1 (80)	5/7.5	2756 (1250.1)	3142 (1425.2)	3527 (1599.8)	3142 (1425.2)	3527 (1599.8)	3968 (1799.9)
	176.4 (4480)	109.3 (2775)	217.5 (5525)	3.1 (80)	5/5	2701 (1225.2)	3086 (1399.8)	3472 (1574.9)	3142 (1425.2)	3527 (1599.8)	3968 (1799.9)
	196.9 (5000)	119.5 (3035)	238.0 (6045)	3.1 (80)	5/5	2590 (1174.8)	2976 (1349.9)	3362 (1525.0)	3031 (1374.8)	3472 (1574.9)	3858 (1750.0)
	216.5 (5500)	129.3 (3285)	257.7 (6545)	3.1 (80)	5/3.5	2480 (1124.9)	2866 (1300.0)	3252 (1475.1)	2921 (1324.9)	3307 (1500.0)	3748 (1700.1)
	236.2 (6000)	139.2 (3535)	277.4 (7045)	3.1 (80)	5/3.5	2425 (1100.0)	2756 (1250.1)	3142 (1425.2)	2811 (1275.0)	3197 (1450.1)	3582 (1624.8)
DUPLEX	110.2 (2800)	74.0 (1880)	151.4 (3845)	32.9 (835)	5/6	2756 (1250.1)	3142 (1425.2)	3527 (1599.8)	3142 (1425.2)	3527 (1599.8)	3968 (1799.9)
	118.1 (3000)	77.9 (1980)	159.3 (4045)	36.8 (935)	5/6	2756 (1250.1)	3142 (1425.2)	3527 (1599.8)	3142 (1425.2)	3527 (1599.8)	3968 (1799.9)
	129.7 (3295)	83.7 (2125)	170.9 (4340)	42.5 (1080)	5/6	2756 (1250.1)	3142 (1425.2)	3527 (1599.8)	3142 (1425.2)	3527 (1599.8)	3968 (1799.9)
	138.3 (3515)	88.4 (2245)	179.5 (4560)	47.2 (1200)	5/6	2756 (1250.1)	3142 (1425.2)	3527 (1599.8)	3142 (1425.2)	3527 (1599.8)	3968 (1799.9)
	145.7 (3700)	93.9 (2385)	186.8 (4745)	52.8 (1340)	5/6	2756 (1250.1)	3142 (1425.2)	3527 (1599.8)	3142 (1425.2)	3527 (1599.8)	3968 (1799.9)
	158.7 (4030)	101.2 (2570)	199.8 (5075)	60.0 (1525)	5/6	2756 (1250.1)	3142 (1425.2)	3527 (1599.8)	3142 (1425.2)	3527 (1599.8)	3968 (1799.9)
TRIPLEX	146.1 (3710)	70.0 (1780)	187.2 (4755)	28.9 (735)	5/6	2756 (1250.1)	3142 (1425.2)	3527 (1599.8)	3142 (1425.2)	3527 (1599.8)	3968 (1799.9)
	157.9 (4010)	74.0 (1880)	199.0 (5055)	32.9 (835)	5/6	2756 (1250.1)	3142 (1425.2)	3527 (1599.8)	3142 (1425.2)	3527 (1599.8)	3968 (1799.9)
	169.7 (4310)	77.9 (1980)	210.8 (5355)	36.8 (935)	5/6	2756 (1250.1)	3142 (1425.2)	3527 (1599.8)	3142 (1425.2)	3527 (1599.8)	3968 (1799.9)
	187.0 (4750)	83.7 (2125)	228.1 (5795)	42.5 (1080)	5/6	2646 (1200.2)	3031 (1374.8)	3417 (1549.9)	3086 (1399.8)	2472 (1574.9)	3913 (1774.9)
	200.4 (5090)	88.4 (2245)	241.5 (6135)	47.2 (1200)	5/3.5	2590 (1174.8)	2921 (1324.9)	3307 (1500.0)	3086 (1399.8)	3417 (1549.9)	3803 (1725.0)
	216.1 (5490)	93.9 (2385)	257.3 (6535)	52.8 (1340)	5/3.5	2480 (1124.9)	2866 (1300.0)	3197 (1450.1)	2976 (1349.9)	3307 (1500.0)	3693 (1675.1)
	235.8 (5990)	101.2 (2570)	277.0 (7035)	60.0 (1525)	5/3.5	2370 (1075.0)	2756 (1250.1)	3086 (1399.8)	2811 (1275.0)	3197 (1450.1)	3582 (1624.8)
	255.5 (6490)	111.4 (2830)	296.7 (7535)	70.3 (1785)	5/3.5	2260 (1025.1)	2646 (1200.2)	2976 (1349.9)	2701 (1225.2)	2976 (1349.9)	3417 (1549.9)
	275.6 (7000)	119.5 (3035)	316.7 (8045)	78.3 (1990)	5/3.5	2149 (974.8)	2315 (1050.1)	2315 (1050.1)	2315 (1050.1)	2315 (1050.1)	2535 (1149.9)

Note: Rated load capacity is for reference only. Actual capacity will vary depending on trucks final configuration.

STANDARD MAST SPECIFICATIONS AND RATED CAPACITIES - 4 WHEEL

Mast Type	Maximum Fork Height	Overall Height		Free Lift	Tilt Angle Fwd/Bkwd	Rated Capacity at 24" (600) Load Center				
		Lowered	Fully Extended			MXS4-16	MXS4-18	MXS4-16L	MXS4-18L	MXS4-20L
	MFH	OHL	With LBR	lb (kg)	lb (kg)					
	in (mm)	in (mm)	in (mm)	in (mm)	degrees	lb (kg)	lb (kg)	lb (kg)	lb (kg)	lb (kg)
SIMPLEX	78.7 (2000)	58.2 (1480)	119.9 (3045)	3.1 (80)	5/6	3142 (1425.2)	3527 (1599.8)	3142 (1425.2)	3527 (1599.8)	3968 (1799.9)
	100.7 (2560)	69.2 (1760)	141.9 (3605)	3.1 (80)	5/6	3142 (1425.2)	3527 (1599.8)	3142 (1425.2)	3527 (1599.8)	3968 (1799.9)
	108.6 (2760)	73.2 (1860)	149.8 (3805)	3.1 (80)	5/7.5	3142 (1425.2)	3527 (1599.8)	3142 (1425.2)	3527 (1599.8)	3968 (1799.9)
	118.1 (3000)	77.9 (1980)	159.3 (4045)	3.1 (80)	5/7.5	3142 (1425.2)	3527 (1599.8)	3142 (1425.2)	3527 (1599.8)	3968 (1799.9)
	129.5 (3290)	83.7 (2125)	170.7 (4335)	3.1 (80)	5/7.5	3142 (1425.2)	3527 (1599.8)	3142 (1425.2)	3527 (1599.8)	3968 (1799.9)
	138.9 (3530)	88.4 (2245)	180.1 (4575)	3.1 (80)	5/7.5	3142 (1425.2)	3527 (1599.8)	3142 (1425.2)	3527 (1599.8)	3968 (1799.9)
	146.5 (3720)	93.9 (2385)	187.6 (4765)	3.1 (80)	5/7.5	3142 (1425.2)	3527 (1599.8)	3142 (1425.2)	3527 (1599.8)	3968 (1799.9)
	161.0 (4090)	101.2 (2570)	202.2 (5135)	3.1 (80)	5/7.5	3142 (1425.2)	3527 (1599.8)	3142 (1425.2)	3527 (1599.8)	3968 (1799.9)
	176.4 (4480)	109.3 (2775)	217.5 (5525)	3.1 (80)	5/5	3142 (1425.2)	3527 (1599.8)	3142 (1425.2)	3527 (1599.8)	3968 (1799.9)
	196.9 (5000)	119.5 (3035)	238.0 (6045)	3.1 (80)	5/5	3086 (1399.8)	3472 (1574.9)	3142 (1425.2)	3527 (1599.8)	3968 (1799.9)
	216.5 (5500)	129.3 (3285)	257.7 (6545)	3.1 (80)	5/3.5	2976 (1349.9)	3362 (1525.0)	3086 (1399.8)	3472 (1574.9)	3803 (1725.0)
236.2 (6000)	139.2 (3535)	277.4 (7045)	3.1 (80)	5/3.5	2701 (1225.2)	2701 (1225.2)	2976 (1349.9)	2976 (1349.9)	3693 (1675.1)	
DUPLIX	110.2 (2800)	74.0 (1880)	151.4 (3845)	32.9 (835)	5/6	3142 (1425.2)	3527 (1599.8)	3142 (1425.2)	3527 (1599.8)	3968 (1799.9)
	118.1 (3000)	77.9 (1980)	159.3 (4045)	36.8 (935)	5/6	3142 (1425.2)	3527 (1599.8)	3142 (1425.2)	3527 (1599.8)	3968 (1799.9)
	129.7 (3295)	83.7 (2125)	170.9 (4340)	42.5 (1080)	5/6	3142 (1425.2)	3527 (1599.8)	3142 (1425.2)	3527 (1599.8)	3968 (1799.9)
	138.3 (3515)	88.4 (2245)	179.5 (4560)	47.2 (1200)	5/6	3142 (1425.2)	3527 (1599.8)	3142 (1425.2)	3527 (1599.8)	3968 (1799.9)
	145.7 (3700)	93.9 (2385)	186.8 (4745)	52.8 (1340)	5/6	3142 (1425.2)	3527 (1599.8)	3142 (1425.2)	3527 (1599.8)	3968 (1799.9)
	158.6 (4030)	101.2 (2570)	199.8 (5075)	60.0 (1525)	5/6	3142 (1425.2)	3527 (1599.8)	3142 (1425.2)	3527 (1599.8)	3968 (1799.9)
TRIPLEX	146.1 (3710)	70.0 (1780)	187.2 (4755)	28.9 (735)	5/6	3142 (1425.2)	3527 (1599.8)	3142 (1425.2)	3527 (1599.8)	3968 (1799.9)
	157.9 (4010)	74.0 (1880)	199.0 (5055)	32.9 (835)	5/6	3142 (1425.2)	3527 (1599.8)	3142 (1425.2)	3527 (1599.8)	3968 (1799.9)
	169.7 (4310)	77.9 (1980)	210.8 (5355)	36.8 (935)	5/6	3142 (1425.2)	3527 (1599.8)	3142 (1425.2)	3527 (1599.8)	3968 (1799.9)
	187.0 (4750)	83.7 (2125)	228.1 (5795)	42.5 (1080)	5/6	3142 (1425.2)	3527 (1599.8)	3142 (1425.2)	3527 (1599.8)	3968 (1799.9)
	200.4 (5090)	88.4 (2245)	241.5 (6135)	47.2 (1200)	5/3.5	3031 (1374.8)	3417 (1549.9)	3142 (1425.2)	3527 (1599.8)	3913 (1774.9)
	216.1 (5490)	93.9 (2385)	257.3 (6535)	52.8 (1340)	5/3.5	2921 (1324.9)	3307 (1500.0)	3031 (1374.8)	3417 (1549.9)	3803 (1725.0)
	235.8 (5990)	101.2 (2570)	277.0 (7035)	60.0 (1525)	5/3.5	2811 (1275.0)	3197 (1450.1)	2921 (1324.9)	3307 (1500.0)	3638 (1650.2)
	255.5 (6490)	111.4 (2830)	296.7 (7535)	70.3 (1785)	5/3.5	2701 (1225.2)	3086 (1399.8)	2811 (1275.0)	3086 (1399.8)	3527 (1599.8)
	275.6 (7000)	119.5 (3035)	316.7 (8045)	78.3 (1990)	5/3.5	2370 (1075.0)	2370 (1075.0)	2370 (1075.0)	2370 (1075.0)	2480 (1124.9)

Note: Rated load capacity is for reference only. Actual capacity will vary depending on trucks final configuration.

ERGONOMICS & COMFORT

The MXS3-MXS4 Series offers a variety of operator conveniences including a 360° steering option that provides greater turning agility. This allows the truck to turn and move in the opposite direction without stopping and avoids destabilizing the load (3-wheel model).

Sized to fit a wide range of drivers, the spacious operator compartment offers comfort and easy access features. An extended seat and steering column adjustability assure a comfortable driving position and enable good vision. The Inclined and narrow dashboard, compact and open design steering wheel and optimized free lift cylinder structure help to provide excellent forward, downward and side visibility. Easy-to-read multi-function color display encourages correct use and maintenance of truck. Fingertip hydraulic controls on adjustable armrest (optional) are spring-force-optimized to ensure ergonomic hand positioning, anatomical support and free movement. Low-noise gearbox improves conditions for drivers and their colleagues. And pedal design, position and angles helps reduce fatigue for a wide range of operator sizes.

The passive sway control keeps automatic parking brake open during lifts, so mast sway energy can be absorbed by the chassis. Electromagnetic parking brakes eliminate the need for levers or pedals to release or activate the brakes. Plus, the Steering knob automatically returns to convenient 8 o'clock position when truck drives straight, even if the wheel has been overturned. Finally, the truck utilizes operator detection that includes automatic parking brake, hill hold and – if operator is not seated – and the prevention of travel and hydraulic movement.

EFFICIENCY & CONTROL

The MXS3-MXS4 Series offers advanced features that make driving and load handling easy, steady and comfortable. Sized to fit a wide range of drivers.

Efficient motors with a high RPM range give better precision in acceleration control, create more torque at low speeds and reduce energy consumption. The drive system reacts instantly to changes in the speed of foot and pedal movement to help assist with smooth controlled actions including cornering, stops and starts. The variable steering ratio and steering force are continuously optimized for different travel speeds. Advanced curve control coordinates the two front-wheel drive motors and rear steer axle motor to optimize turning speed, stabilize fast sideways movements of the counterweight, and prevent tilting when straightening after high-speed turns.

As standard, truck acceleration and hydraulic performance is automatically limited at lifts from 138 in./3.5m for steady, controlled handling. This feature can be set to activate at lifts above 79 in./2m as an option.

LOWER OPERATING COSTS

Robust construction and sealed components mean you can save money on maintenance needs.

Fast battery compartment access speeds up servicing and exchanges. Easy-to-read multi-function color display encourages correct use and maintenance of truck. Modular design simplifies addition or replacement of parts, including overhead guard and cabin options.

EFFICIENT PERFORMANCE & GREATER UPTIME

To maintain precise control, load-sensing hydraulic system automatically adjusts to the weight being handled. Passive sway control keeps the automatic parking brake open so mast sway energy is absorbed by the mass of the whole truck. All masts and low-friction side-shift minimize sway, twisting and noise.

Fully electronic magnetic brakes require less servicing and offer greater energy efficiency. Simultaneous hydraulic functions are electronically compensated (when using the optional fingertip control) to keep their behavior consistent whatever the load weight.

Pre-set ECO and PRO modes can be selected for different drivers and tasks, or customized settings can be applied by service engineers.

RUGGED & DURABLE

Durable hose and hydraulic cylinder sealing specification withstands high temperature range, weathering and physical wear.

STANDARD EQUIPMENT

- Efficient motors with high RPM range
- Fully electronic magnetic brakes
- Robust construction and sealed components
- Adjustable full suspension vinyl seat
- Fast battery compartment access
- Easy-to-read multi-function color display
- Modular design
- Advanced curve control coordinates
- Dual drive '4-wheel steering' with a +100° rear turning axle
- LED front and rear working lights
- Truck acceleration and hydraulic performance is automatically limited at lifts from 138 in./3.5m
- High-specification masts
- Pre-set ECO and PRO modes can be selected for different drivers and tasks
- Electromagnetic parking brakes
- 360° steering option (3 wheel)*

OPTIONAL EQUIPMENT

- Simultaneous hydraulic functions are electronically compensated
- Pre-set ECO and PRO modes can be customized to allow settings to be applied by service engineers
- Truck acceleration and hydraulic performance is automatically limited at lifts above 79 in./2m

* Needs to be activated via software (TruckTool).

Forklifts of Michigan
www.forkliftsmi.com
(616) 455-2376



LogisnextAmericas.com/UniCarriers

SB-MXS-10-2021.1 Printed in U.S.A.

© 2021 Mitsubishi Logisnext Americas Inc. UniCarriers® is a registered trademark of Mitsubishi Logisnext Co., Ltd. Mitsubishi Logisnext Americas Inc. reserves the right to make product changes relating to colors, equipment, specifications or available options without notice. For more information, contact your UniCarriers Forklift representative.